

Wireless Microphone Package

Operating Instructions

Before operating the unit, please read this manual thoroughly and retain it for future reference.

Note

The supplied CD-ROM includes operating instructions for the UWP series wireless microphone packages (English, Japanese, French, German, Italian, and Spanish versions) and Sony Wireless Microphone System Frequency Lists (English, French, German, and Spanish versions). For details, see “Using the CD-ROM Manual” on page 19.

UWP-C1/C2
UWP-S1/S2
UWP-X1/X2

For UTX-B1 and UTX-H1 Transmitters

Owner's Record

The model and serial numbers are located at the rear or on the bottom of the unit. Record the model and serial numbers in the space provided below. Refer to these numbers whenever you call upon your Sony dealer regarding this product.

Model No. _____
Serial No. _____

Notice for customers in the U.S.A.

Use of Sony wireless devices is regulated by the Federal Communications Commission as described in Part 74 subpart H of the FCC regulations and users authorized thereby are required to obtain an appropriate license.

You are cautioned that any changes or modifications not expressly approved in this manual could void your authority to operate this equipment.

IMPORTANT NOTE: To comply with the FCC RF exposure compliance requirements, no change to the antenna or the device is permitted. Any change to the antenna or the device could result in the device exceeding the RF exposure requirements and void user's authority to operate this device.

Notice for customers in Canada:

Use of Sony wireless devices is regulated by the Industry Canada as described in their Radio Standard Specification RSS-123.

A licence is normally required. The local district office of Industry Canada should therefore be contacted. When the operation of the device is within the broadcast band, the licence is issued on no-interference, no-protection basis with respect to broadcast signals.

Operation of this device is subject to the following two conditions: (1) this device may not cause interference, and (2) this device must accept any interference, including interference that may cause undesired operation of the device.

The term "IC:" before the radio certification number only signifies that Industry Canada technical specifications were met.

Remarque à l'intention des utilisateurs au Canada:

L'usage des appareils sans fil Sony est réglementé par l'Industrie Canada comme décrit dans leur Cahier des Normes Radioélectriques CNR-123. Une licence est normalement requise. Le bureau de l'Industrie Canada doit être contacté. Lorsque le fonctionnement de l'appareil respecte les limites de la bande de radiodiffusion, la licence est accordée sur la base d'une non-interférence, non-protection pour les signaux de radiodiffusion.

L'utilisation de cet appareil est soumise aux deux conditions suivantes: (1) cet appareil ne peut causer d'interférences, et (2) cet

appareil doit accepter toutes les interférences, y compris les interférences capables de provoquer un fonctionnement non souhaité de l'appareil.

L'expression <<IC:>> avant le numéro d'homologation/ enregistrement signifie seulement que les spécifications techniques de l'Industrie Canada ont été respectées.

Notice for customers in Europe

Notification aux clients

européens

Hinweis für die Kunden in

Europa

Avvertenza per gli utilizzatori in

Europa

Aviso para los clientes de

Europa

Nota para utilizadores da

Europa

Mededeling voor de klanten in

Europa

Att observera för kunder i

Europa

Meddelelse til kunderne i

Europa

Huomautus Euroopassa asuville

asiakkaillemme

Ενημέρωση για τους πελάτες

στην Ευρώπη



U.K.	854.125 - 862 MHz
Germany	790 - 814 MHz
Norway	800 - 820 MHz
Luxembourg	800 - 830 MHz, 854.125 - 862 MHz
Belgium	854.125 - 862 MHz
Denmark	800.100 - 819.900 MHz
France	798 - 830 MHz
Italy	800 - 820 MHz
Sweden	800 - 820 MHz
Switzerland	800 - 820 MHz
Finland	800.100 - 819.900 MHz
Iceland	800 - 814 MHz

Hereby, Sony Corporation declares that this UTX-B1/UTX-H1 is in compliance with the essential requirements and other relevant provisions of Directive 1999/5/EC. For details, please access the following URL:
<http://www.compliance.sony.de/>

Note:

In some countries additional frequency bands may be used with the agreement of the national authority.

Sony Corporation déclare par ces présentes que le UTX-B1/UTX-H1 est conforme aux exigences essentielles et aux dispositions applicables de la Directive 1999/5/CE. Pour les détails, accédez à l'URL suivante:
<http://www.compliance.sony.de/>

Remarque:

Dans certains pays, des bandes de fréquences additionnelles pourront être utilisées avec l'accord des autorités nationales.

Hiermit erklärt Sony Corporation, dass die vorliegende Einheit UTX-B1/UTX-H1 den wesentlichen Anforderungen und anderen relevanten Bestimmungen der Richtlinie 1999/5/EC entspricht. Für Einzelheiten siehe folgende URL: <http://www.compliance.sony.de/>

Hinweis:

In manchen Ländern ist mit Genehmigung der zuständigen Behörden u.U. die Nutzung weiterer Frequenzbänder möglich.

Con questo Sony Corporation dichiara che questo UTX-B1/UTX-H1 è in conformità con i requisiti essenziali e altri provvedimenti in materia della Direttiva 1999/5/CE. Per dettagli, si prega di accedere alla seguente URL: <http://www.compliance.sony.de/>

Nota:

In alcuni paesi possono essere usate bande di frequenza supplementari con il permesso delle autorità nazionali.

Sony Corporation declara aquí que este modelo, UTX-B1/UTX-H1, cumple los requisitos esenciales y demás provisiones pertinentes de la Directiva 1999/5/EC. Con respecto a los detalles, realice el acceso a la URL: <http://www.compliance.sony.de/>

Nota:

En algunos países pueden utilizarse bandas de frecuencia adicionales de acuerdo con la autoridad nacional.

A Sony Corporation declara que o modelo UTX-B1/UTX-H1 está em conformidade com as exigências essenciais e outras provisões pertinentes da Directiva 1999/5/EC. Mais informações neste endereço da Internet: <http://www.compliance.sony.de/>

Obs.:

Em alguns países uma faixa adicional de frequências pode ser utilizada com autorização do governo nacional.

Sony Corporation verklaart hierbij dat de UTX-B1/UTX-H1 voldoet aan de primaire vereisten en andere relevante voorschriften van de Europese Bepaling 1999/5/EC. Nadere bijzonderheden vindt u op de volgende website: <http://www.compliance.sony.de/>

Opmerking:

In bepaalde landen kan er gebruik gemaakt worden van aanvullende frequentiebanden, mits toegestaan door de nationale instanties.

Sony Corporation förkunnar härmed att denna UTX-B1/UTX-H1 uppfyller de huvudsakliga kraven och andra relevanta villkor i direktivet 1999/5/EC. Se följande URL för närmare detaljer: <http://www.compliance.sony.de/>

Observera:

I vissa länder kan det hända att ytterligare frekvensband används efter överenskommelse med det landets myndigheter.

Sony Corporation erklærer herved, at denne UTX-B1/UTX-H1 er i overensstemmelse med de essentielle krav og andre relevante bestemmelser i direktiv 1999/5/EC. Åbn venligst den følgende URL angående detaljer: <http://www.compliance.sony.de/>

Bemærk:

I nogle land kan yderligere frekvensbånd blive anvendt med de nationale autoriteters samtykke.

Sony Corporation julistaa täten, että tämä UTX-B1/UTX-H1 vastaa direktiivin 1999/5/EC olennaisia vaatimuksia ja muita asiaankuuluvia määräyksiä. Katso tarkemmat tiedot osoitteesta: <http://www.compliance.sony.de/>

Huom!

Joissakin maissa lisätaajuuskaistoja voidaan käyttää viranomaisten suostumuksella.

Με το παρόν, η Sony δηλώνει ότι το UTX-B1/UTX-H1 ικανοποιεί τις ουσιώδεις απαιτήσεις και τους άλλους σχετικούς όρους της Οδηγίας 1999/5/ΕΚ.

Για λεπτομέρειες, παρακαλούμε εισηχωρήστε στο παρακάτω URL: <http://www.compliance.sony.de/>

Σημείωση:

Σε ορισμένες χώρες, μπορεί να χρησιμοποιούνται επιπλέον περιοχές συχνοτήτων, με τη συμφωνία της αρμόδιας εθνικής αρχής.

Note for customers in Switzerland:

Before use, a request of concession for a wireless microphone (Frequency Class 3) has to be submitted to Bakom.

Note concernant les utilisateurs en Suisse:

Une demande de concession de microphone sans fil (fréquence classe 3) doit être présentée au Bakom avant d'utiliser l'appareil.

Hinweis für Kunden in der Schweiz:

Vor Inbetriebnahme ist eine Konzessionsanforderung für ein drahtloses Mikrofon (Frequenzklasse 3) bei Bakom einzureichen.

Note for customers in Finland:

To own and use, it is necessary to obtain an individual licence of the Telecommunications Administration Center.

Huomautus Suomessa asuville asiakkaillemme

Omitusta ja käyttöä varten on tarpeen hankkia henkilökohtainen lupa tietoliikennehallintokeskuksesta.

Note for customers in Luxembourg:

Before any use of an equipment, the frequencies required have to be, if necessary according to the regulations in force, assigned prior to usage by the “ILT”.

Remarque pour les clients au Luxembourg:

Avant tout emploi de cet appareil, si nécessaire conformément à la réglementation en vigueur, les fréquences requises doivent être assignées, avant l’usage par le “ILT”.

Hinweis für Kunden in Luxembourg:

Vor Inbetriebnahme eines Geräts müssen die Frequenzen gegebenenfalls nach den geltenden Vorschriften vor dem Gebrauch von der „ILT“ zugewiesen werden.

Note for customers in Italy:

The use of this product within Italy is subject to article 334 of the Postal and Telecommunications regulations.

Nota per i clienti in Italia:

L’uso del prodotto sul territorio italiano è soggetto alle regolamentazioni del Codice Postale e delle Telecomunicazioni art. 334.

Note for customers in Belgium:

Using this transmitter with 30 mW RF output power is not allowed. Be sure to set the RF output power to 5 mW.

Note concernant les utilisateurs en Belgique:

L’emploi de ce transmetteur avec une puissance de sortie RF de 30 mW n’est pas autorisé. Bien régler la puissance de sortie RF à 5 mW.

Hinweis für Kunden in Belgien:

Der Einsatz des Senders mit einer HF-Ausgangsleistung von 30 mW ist verboten. Betreiben Sie den Sender ausschließlich mit einer HF-Ausgangsleistung von 5 mW.

Mededeling voor de klanten in België:

Het is niet toegestaan deze zender te gebruiken met een RF uitgangsvermogen van 30 mW. Zorg dat het RF uitgangsvermogen is ingesteld op 5 mW.

Note for customers in Norway:

Using this transmitter requires the Individual License.

Hinweis für Kunden in Deutschland:

Vor Inbetriebnahme muss bei der zuständigen Außenstelle der Regulierungsbehörde (Reg TP) eine Kanalzuweisung beantragt werden.

Note for customers in Iceland:

Using this transmitter requires the Individual License.

Note for customers in Sweden:

Using this transmitter requires the Individual License.

Att observera för kunder i Sverige:

För att använda denna sändare krävs Individuell Licens.

For URX-P1, URX-M1, and URX-R1 Tuners

Owner's Record

The model and serial numbers are located at the rear or on the side of the unit. Record the model and serial numbers in the space provided below. Refer to these numbers whenever you call upon your Sony dealer regarding this product.

Model No. _____
Serial No. _____

Notice for customers in the U.S.A.

You are cautioned that any changes or modifications not expressly approved in this manual could void your authority to operate this equipment.

Declaration of Conformity

Trade Name: SONY
Model No.: URX-P1
URX-M1
URX-R1
Responsible Party:
Sony Electronics
Inc.
Address: 680 Kinderkamack
Road, Oradell, NJ.
07649 U.S.A.
Telephone No.: 201-930-6972

This device complies with Part 15 of the FCC Rules. Operation is subject to the following two conditions:

- (1) This device may not cause harmful interference, and
- (2) this device must accept any interference received, including interference that may cause undesired operation.

If you have any questions about this product, you may call:

*Sony's Business Information Center (BIC)
at 1-800-686-SONY (7669)*

or write to:

*Sony Customer Information Services Center
6900-29 Daniels Parkway, PMB
330 Fort Myers, Florida 33912*

Notice for customers in Canada:

Use of Sony wireless devices is regulated by the Industry Canada as described in their Radio Standard Specification RSS-123.

A licence is normally required. The local district office of Industry Canada should therefore be contacted. When the operation of the device is within the broadcast band, the licence is issued on no-interference, no-protection basis with respect to broadcast signals.

Operation of this device is subject to the following two conditions: (1) this device may not cause interference, and (2) this device must accept any interference, including interference that may cause undesired operation of the device.

The term "IC:" before the radio certification number only signifies that Industry Canada technical specifications were met.

Remarque à l'intention des utilisateurs au Canada:

L'usage des appareils sans fil Sony est réglementé par l'Industrie Canada comme décrit dans leur Cahier des Normes Radioélectriques CNR-123. Une licence est normalement requise. Le bureau de l'Industrie Canada doit être contacté. Lorsque le fonctionnement de l'appareil respecte les limites de la bande de radiodiffusion, la licence est accordée sur la base d'une non-interférence, non-protection pour les signaux de radiodiffusion.

L'utilisation de cet appareil est soumise aux deux conditions suivantes: (1) cet appareil ne peut causer d'interférences, et (2) cet appareil doit accepter toutes les interférences, y compris les interférences capables de provoquer un fonctionnement non souhaité de l'appareil.

L'expression <<IC:>> avant le numéro d'homologation/ enregistrement signifie seulement que les spécifications techniques de l'Industrie Canada ont été respectées.

**Notice for customers in Europe
Notification aux clients
européens**

**Hinweis für die Kunden in
Europa
Avvertenza per gli utilizzatori in
Europa
Aviso para los clientes de
Europa
Nota para utilizadores da
Europa**

**Mededeling voor de klanten in
Europa**

**Att observera för kunder i
Europa**

**Meddelelse til kunderne i
Europa**

**Huomautus Euroopassa asuville
asiakkaillemme**

**Ενημέρωση για τους πελάτες
στην Ευρώπη**



U.K.	854.125 - 862 MHz
Germany	790 - 814 MHz
Norway	800 - 820 MHz
Luxembourg	800 - 830 MHz, 854.125 - 862 MHz
Belgium	854.125 - 862 MHz
Denmark	800.100 - 819.900 MHz
France	798 - 830 MHz
Italy	800 - 820 MHz
Sweden	800 - 820 MHz
Switzerland	800 - 820 MHz
Finland	800.100 - 819.900 MHz
Iceland	800 - 814 MHz

Hereby, Sony Corporation declares that this URX-P1/M1/R1 is in compliance with the essential requirements and other relevant provisions of Directive 1999/5/EC. For details, please access the following URL:
<http://www.compliance.sony.de/>

Sony Corporation déclare par ces présentes que le URX-P1/M1/R1 est conforme aux exigences essentielles et aux dispositions applicables de la Directive 1999/5/CE. Pour les détails, accédez à l'URL suivante:
<http://www.compliance.sony.de/>

Hiermit erklärt Sony Corporation, dass die vorliegende Einheit URX-P1/M1/R1 den wesentlichen Anforderungen und anderen relevanten Bestimmungen der Richtlinie 1999/5/EC entspricht. Für Einzelheiten siehe folgende URL:
<http://www.compliance.sony.de/>

Con questo Sony Corporation dichiara che questo URX-P1/M1/R1 è in conformità con i requisiti essenziali e altri provvedimenti in materia della Direttiva 1999/5/CE. Per dettagli, si prega di accedere alla seguente URL:
<http://www.compliance.sony.de/>

Sony Corporation declara aquí que este modelo, URX-P1/M1/R1 cumple los requisitos esenciales y demás provisiones pertinentes de la Directiva 1999/5/EC. Con respecto a los detalles, realice el acceso a la URL:
<http://www.compliance.sony.de/>

A Sony Corporation declara pela presente que o modelo URX-P1/M1/R1 está em conformidade com as exigências essenciais e outras provisões pertinentes da Directiva 1999/5/EC. Mais informações neste endereço da Internet:
<http://www.compliance.sony.de/>

Sony Corporation verklaart hierbij dat de URX-P1/M1/R1 voldoet aan de primaire vereisten en andere relevante voorschriften van de Europese Bepaling 1999/5/EC. Nadere bijzonderheden vindt u op de volgende website:
<http://www.compliance.sony.de/>

Sony Corporation förkunnar härmed att denna URX-P1/M1/R1 uppfyller de huvudsakliga kraven och andra relevanta villkor i direktivet 1999/5/EC. Se följande URL för närmare detaljer:
<http://www.compliance.sony.de/>

Sony Corporation erklærer herved, at denne URX-P1/M1/R1 er i overensstemmelse med de essentielle krav og andre relevante bestemmelser i direktiv 1999/5/EC. Åbn venligst den følgende URL angående detaljer:
<http://www.compliance.sony.de/>

Sony Corporation julistaa täten, että tämä URX-P1/M1/R1 vastaa direktiivin 1999/5/EC olennaisia vaatimuksia ja muita asiaankuuluvia määräyksiä. Katso tarkemmat tiedot osoitteesta:
<http://www.compliance.sony.de/>

Με το παρόν, η Sony δηλώνει ότι το URX-P1/M1/R1 ικανοποιεί τις ουσιώδεις απαιτήσεις και τους άλλους σχετικούς όρους της Οδηγίας 1999/5/ΕΚ.

Για λεπτομέρειες, παρακαλούμε εισχωρήστε στο παρακάτω URL:
<http://www.compliance.sony.de/>

Table of Contents

Configuration of the	
Packages	11
UWP-C1	11
UWP-C2	12
UWP-S1	13
UWP-S2	14
UWP-X1	15
UWP-X2	16
Features	17
Using the CD-ROM Manual	19
CD-ROM system requirements	19
Preparations	19
To read the operating instructions	19
To read the Sony Wireless Microphone System Frequency List	19
Precautions	21
Parts Identification	22
Body-pack transmitter (UTX-B1)	22
Hand-held microphone (UTX-H1)	23
Portable diversity tuner (URX-P1)	24
Half-rack size diversity tuner (URX-R1)	26
Diversity tuner module (URX-M1)	27
Power Supply	29
Inserting the batteries	29
Attachment and Installation	
Procedures	32
Attaching the supplied accessories to the body-pack transmitter (UTX-B1)	32
Attaching the supplied accessory to the hand-held microphone (UTX-H1)	33
Attaching the supplied accessories to the portable diversity tuner (URX-P1)	33
Installing the diversity tuner module (URX-M1)	34
Settings	37
Setting the transmission channel	37
Setting the reception channel ...	38
Setting the attenuation level of the audio input	39
Resetting the accumulated battery use time indication	40
Setting the RF output level	41
Setting the monitor level (portable diversity tuner (URX-P1) only)	41
Operation	42
System Configurations	43
Error Messages	46
Troubleshooting	47
Specifications	49

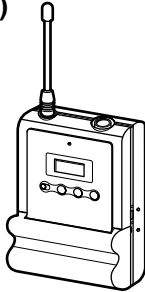
Configuration of the Packages

This operation manual is for the UWP-C1/C2/S1/S2/X1/X2 wireless microphone packages. The contents of each package are described below.

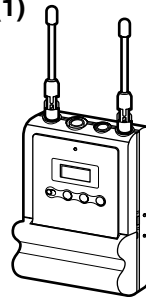
UWP-C1

The UWP-C1 consists of a body-pack transmitter (UTX-B1) and a portable diversity tuner (URX-P1). When used in conjunction with a compact camcorder, the UWP-C1 makes a mobile system for ENG (Electronic News Gathering) or EFP (Electronic Field Production) purposes.

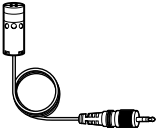
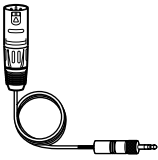


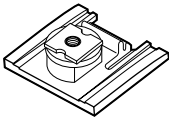

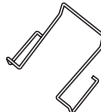
Body-pack transmitter (UTX-B1) (1)



Portable diversity tuner (URX-P1) (1)



Supplied accessories

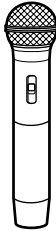
- Omni-directional lavalier microphone (1)

- XLR-BMP conversion cable (1)

- Microphone stand adapter (1)

- Wind screen (1)

- Shoe mount adapter (1)

- Operation manual (1)
- CD-ROM (1) (For the U.S.A. and Europe models only)
- Sony Wireless Microphone System Frequency List (1) (Australia model only)
- Warranty booklet (1)
- Holder clip (1)

- Belt clip (2)


Configuration of the Packages

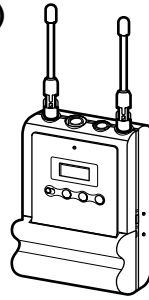
UWP-C2

The UWP-C2 consists of a hand-held microphone (UTX-H1) and a portable diversity tuner (URX-P1). When used in conjunction with a compact camcorder, the UWP-C2 makes a mobile system for ENG (Electronic News Gathering) or EFP (Electronic Field Production) purposes.

Hand-held microphone (UTX-H1) (1)

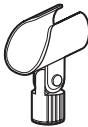


Portable diversity tuner (URX-P1) (1)

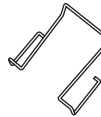


Supplied accessories

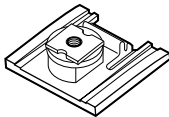
- Microphone holder (1)



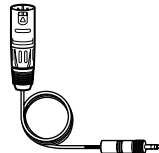
- Belt clip (1)



- Shoe mount adapter (1)



- XLR-BMP conversion cable (1)



- Microphone stand adapter (1)

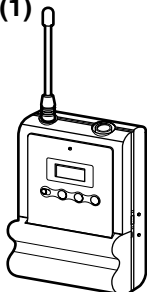


- Operation manual (1)
- CD-ROM (1) (For the U.S.A. and Europe models only)
- Sony Wireless Microphone System Frequency List (1) (Australia model only)
- Warranty booklet (1)

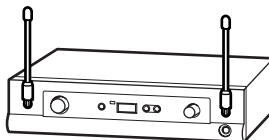
UWP-S1

The UWP-S1 consists of a body-pack transmitter (UTX-B1) and a half-rack size diversity tuner (URX-R1). The UWP-S1 is suitable for constructing a wireless system for AV presentations.

Body-pack transmitter (UTX-B1) (1)

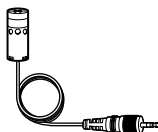


Half-rack size diversity tuner (URX-R1) (1)



Supplied accessories

- Unidirectional lavalier microphone (1)



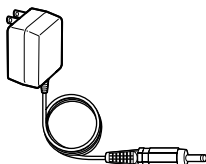
- Wind screen (1)



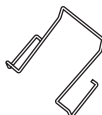
- Holder clip (1)



- AC adapter (1)



- Belt clip (1)



- Operation manual (1)
- CD-ROM (1) (For the U.S.A. and Europe models only)
- Sony Wireless Microphone System Frequency List (1) (Australia model only)
- Warranty booklet (1)

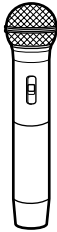
- AC-S906T (for U62 and U66 models)
- AC-S906 (for CE62 model)
- AC-S911 (for CE67 model)
- AC-E90HG (for AU66 model)

Configuration of the Packages

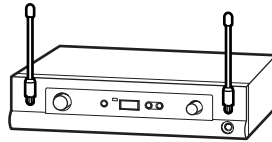
UWP-S2

The UWP-S2 consists of a hand-held microphone (UTX-H1) and a half-rack size diversity tuner (URX-R1). The UWP-S2 is suitable for constructing a wireless system for AV presentations.

Hand-held microphone (UTX-H1) (1)

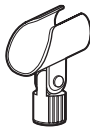


Half-rack size diversity tuner (URX-R1) (1)

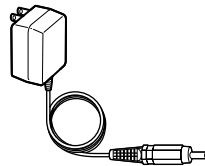


Supplied accessories

- Microphone holder (1)



- AC adapter (1)



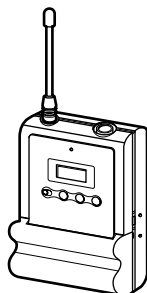
- Operation manual (1)
- CD-ROM (1) (For the U.S.A. and Europe models only)
- Sony Wireless Microphone System Frequency List (1) (Australia model only)
- Warranty booklet (1)

- AC-S906T (for U62 and U66 models)
- AC-S906 (for CE62 model)
- AC-S911 (for CE67 model)
- AC-E90HG (for AU66 model)

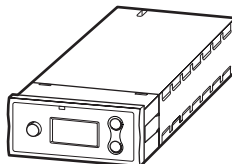
UWP-X1

The UWP-X1 consists of a body-pack transmitter (UTX-B1) and a diversity tuner module (URX-M1). By installing the tuner module into a tuner base unit or a powered mixer, the system construction to meet the desired purpose of use and required system scale becomes possible.

Body-pack transmitter (UTX-B1) (1)

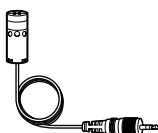


Diversity tuner module (URX-M1) (1)



Supplied accessories

- Unidirectional lavalier microphone (1)



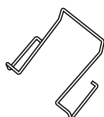
- Wind screen (1)



- Holder clip (1)



- Belt clip (1)



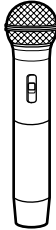
- Operation manual (1)
- CD-ROM (1) (For the U.S.A. and Europe models only)
- Sony Wireless Microphone System Frequency List (1) (Australia model only)
- Warranty booklet (1)

Configuration of the Packages

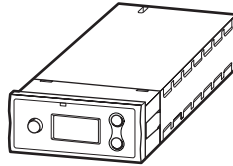
UWP-X2

The UWP-X2 consists of a hand-held microphone (UTX-H1) and a diversity tuner module (URX-M1). By installing the tuner module into a tuner base unit or a powered mixer, the system construction to meet the desired purpose of use and required system scale becomes possible.

Hand-held microphone (UTX-H1) (1)



Diversity tuner module (URX-M1) (1)



Supplied accessories

- Microphone holder (1)



- Operation manual (1)
- CD-ROM (1) (For the U.S.A. and Europe models only)
- Sony Wireless Microphone System Frequency List (1) (Australia model only)
- Warranty booklet (1)

Features

Each of the UWP-C1/C2/S1/S2/X1/X2 wireless microphone packages (referred to as the UWP series hereafter) combines a transmitter (body-pack transmitter (UTX-B1) or hand-held microphone (UTX-H1)) and a receiver (portable diversity tuner (URX-P1), half-rack size diversity tuner (URX-R1), or diversity tuner module (URX-M1)). The UWP series can be used with a compact camcorder for ENG (Electronic News Gathering) purposes, and with a powered mixer for AV presentations or as a PA (public address) system.

Note

The UWP series is not compatible with conventional WRT series transmitters, WRR series tuners, or WRU series tuner units.

The features of each package are described below.

UWP-C1

Body-pack transmitter (UTX-B1)

This is a small and lightweight transmitter with a crystal-controlled PLL (phase lock loop) synthesized system and a BMP-type microphone input connector. The RF power output can be set at 30 mW or at 5 mW.

Portable diversity tuner (URX-P1)

This tuner employs a space diversity system with little signal dropout and two angle-adjustable antennas. It comes with an adapter for mounting the tuner on the compact camcorder (DSR-PDX10/PDX10P/PD150/PD150P, etc.).

UWP-C2

Hand-held microphone (UTX-H1)

This microphone is equipped with a built-in antenna and a unidirectional dynamic microphone unit. The RF power output can be set at 30 mW or at 5 mW.

Portable diversity tuner (URX-P1)

This tuner employs a space diversity system with little signal dropout and two angle-adjustable antennas. It comes with an adapter for mounting the tuner on the compact camcorder (DSR-PDX10/PDX10P/PD150/PD150P, etc.).

UWP-S1

Body-pack transmitter (UTX-B1)

This is a small and lightweight transmitter with a crystal-controlled PLL (phase lock loop) synthesized system and a BMP-type microphone input connector. The RF power output can be set at 30 mW or at 5 mW.

Features

Half-rack size diversity tuner (URX-R1)

This tuner employs a space diversity system with little signal dropout and two angle-adjustable antennas. It comes with two types of audio connectors (1/4-inch jack and XLR type) on the rear panel.

UWP-S2

Hand-held microphone (UTX-H1)

This microphone is equipped with a built-in antenna and a unidirectional dynamic microphone unit. The RF power output can be set at 30 mW or at 5 mW.

Half-rack size diversity tuner (URX-R1)

This tuner employs a space diversity system with little signal dropout and two angle-adjustable antennas. It comes with two types of audio connectors (1/4-inch jack and XLR type) on the rear panel.

UWP-X1

Body-pack transmitter (UTX-B1)

This is a small and lightweight transmitter with a crystal-controlled PLL (phase lock loop) synthesized system and a BMP-type microphone input connector. The RF power output can be set at 30 mW or at 5 mW.

Diversity tuner module (URX-M1)

This tuner module can be incorporated into the MB-806A Tuner Base Unit or SRP-X700P Powered Mixer.

UWP-X2

Hand-held microphone (UTX-H1)

This microphone is equipped with a built-in antenna and a unidirectional dynamic microphone unit. The RF power output can be set at 30 mW or at 5 mW.

Diversity tuner module (URX-M1)

This tuner module can be incorporated into the MB-806A Tuner Base Unit or SRP-X700P Powered Mixer.

Using the CD-ROM Manual

The supplied CD-ROM includes operating instructions for the UWP series wireless microphone packages (English, Japanese, French, German, Italian, and Spanish versions) and Sony Wireless Microphone System Frequency Lists (English, French, German, and Spanish versions).

CD-ROM system requirements

The following are required to access the supplied CD-ROM disc.

- Computer: PC with MMX Pentium 166 MHz or faster CPU
 - Installed memory: 64 MB or more
 - CD-ROM drive: ×8 or faster
- Monitor: Monitor supporting resolution of 800 × 600 or higher

When these requirements are not met, access to the CD-ROM disc may be slow, or not possible at all.

Preparations

Adobe Acrobat Reader Version 4.0 or higher must be installed on your computer in order to use the documents contained in the CD-ROM disc.

Adobe Acrobat Reader 4.0 or higher may be downloaded from the following URL:
<http://www.adobe.com/products/acrobat/readstep.html>

To read the operating instructions

To read the operating instructions contained in the CD-ROM disc, do the following.

- 1 Insert the CD-ROM disc in your CD-ROM drive.
A cover page appears automatically in your browser. If it does not appear automatically in the browser, open My Computer, access the CD-ROM drive, and double-click the index.htm file.
- 2 Select and click the operating instructions that you want to read. A PDF file of the operating instructions opens.

To read the Sony Wireless Microphone System Frequency List

The frequency lists for U62 and U66 models (for the U.S.A.) and CE62 and CE67 models (for Europe) are contained in the CD-ROM disc. To read the frequency lists, do the following.

- 1 Insert the CD-ROM disc in your CD-ROM drive.
A cover page appears automatically in your browser.

- 2 Select and click the frequency list that you want to read.
A PDF file of the frequency list opens.

Note

If you lose the CD-ROM disc or become unable to read its content, for example, because of a hardware failure, contact a Sony service representative.

- MMX and Pentium are registered trademarks of Intel Corporation or its subsidiaries in the United States and other countries.
- Adobe and Acrobat are registered trademarks of Adobe Systems Incorporated in the United States and/or other countries.

Precautions

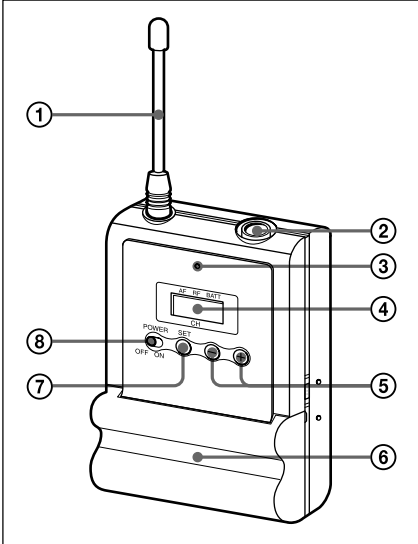
- The UWP series product must be used within a temperature range of 0°C to 40°C (32°F to 104°F).
- Operating the UWP series product near electrical equipment (motors, transformers, or dimmers) may cause it to be affected by electromagnetic induction. Keep the UWP series product as far from such equipment as possible.
- The presence of the lighting equipment may produce electrical interference over the entire frequency range. Position the UWP series product so that interference is minimized.
- To avoid degradation of the signal-to-noise ratio, do not use the UWP series product in noisy places or in locations subject to vibration, such as the following:
 - near electrical equipment, such as motors, transformers or dimmers
 - near air conditioning equipment or places subject to direct air flow from an air conditioner
 - near public address loudspeakers
 - where adjacent equipment might knock against the tunerKeep the UWP series product as far from such equipment as possible or use buffering material.
- Clean the surface and the connectors of the UWP series product with a dry, soft cloth. Never use thinner, benzene, alcohol or any other chemicals, since these may mar the finish.

To prevent electromagnetic interference from portable communication devices

The use of portable telephones and other communication devices near the UWP series product may result in malfunction and interference with audio signals. It is recommended that portable communication devices near the UWP series product be turned off.

Parts Identification

Body-pack transmitter (UTX-B1)



1 Antenna

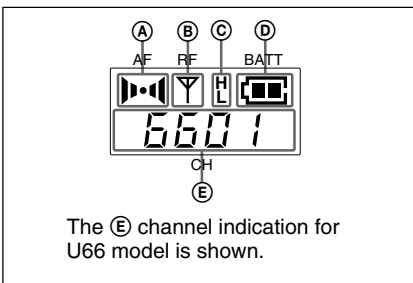
2 Audio input connector

Connect the supplied lavalier microphone here.

3 Power indicator

Lights up red when the transmitter is tuned on.

4 Display section



A AF (audio frequency) indication

Appears whenever the input audio signal is stronger than the reference level.

B RF (antenna output) indication

Appears during signal transmission from the antenna.

C RF (antenna output) level indication

Shows the RF output level setting.

For details, see “Setting the RF output level” on page 41.

D BATT (battery) indication

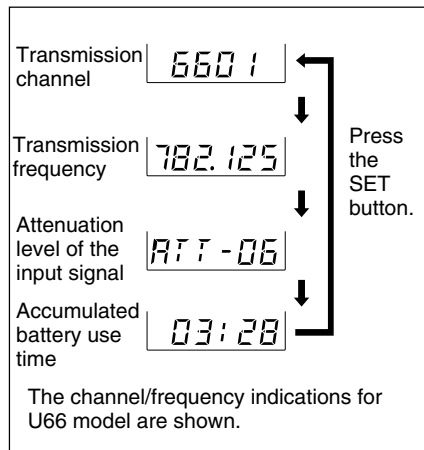
Shows the battery condition.

For details, see “Power Supply” on page 29.

E CH (channel) indication

Shows the transmission channel. Each time you press the SET button in transmission mode, the channel indication changes as follows.

For details, see “Settings” on page 37.



5 + (+ selection) / - (- selection/ reset) buttons

Press these buttons to set the transmission channel, frequency, or attenuation level of the input signal. The “-” button resets the accumulated battery use time to “00:00”.

6 Battery compartment

Accommodates two LR6 (size AA) alkaline batteries.

For details on how to insert the batteries, see “Power Supply” on page 29.

7 SET button

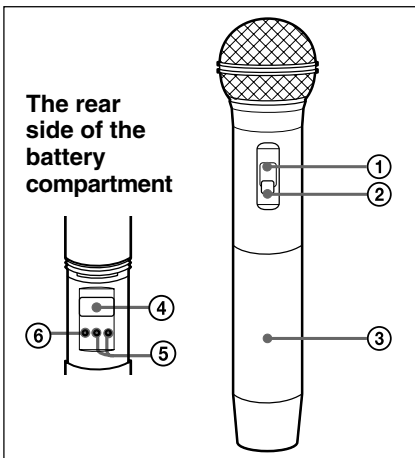
Press to change and enter display parameters.

For details, see “Settings” on page 37.

8 POWER switch

Turns the power of the transmitter ON or OFF.

Hand-held microphone (UTX-H1)



1 Power indicator

Lights up red when the microphone is turned on.

2 POWER switch

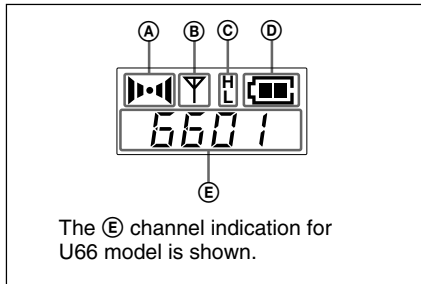
Turns the power of the microphone ON or OFF.

3 Battery compartment

Accommodates two LR6 (size AA) alkaline batteries.

For details on how to insert the batteries, see “Power Supply” on page 29.

4 Display section



(A) AF (audio frequency) indication

Appears whenever the input audio signal is stronger than the reference level.

(B) RF (antenna output) indication

Appears during signal transmission from the antenna.

(C) RF (antenna output) level indication

Shows the RF output level setting.

For details, see “Setting the RF output level” on page 41.

Parts Identification

ⓐ BATT (battery) indication

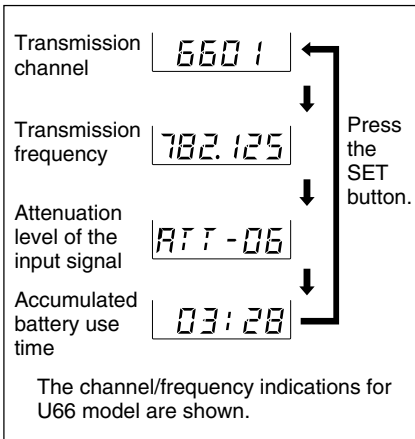
Shows the battery condition.

For details, see “Power Supply” on page 29.

ⓑ CH (channel) indication

Shows the transmission channel. Each time you press the SET button, the channel indication changes as follows.

For details, see “Settings” on page 37.



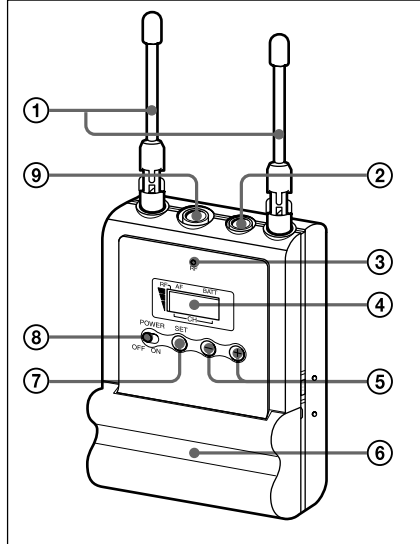
ⓓ + (+ selection) / - (- selection/reset) buttons

Press these buttons to set the transmission channel, frequency, or attenuation level of the input signal. The “-” button resets the accumulated battery use time to “00:00”.

ⓔ SET button

Press to change display parameters. For details, see “Settings” on page 37.

Portable diversity tuner (URX-P1)



1 Antennas a/b

The angle of the antennas can be adjusted manually.

2 MONITOR connector (3.5-mm diameter stereo mini jack)

To monitor the tuner output, connect the headphones to this connector.

3 RF (radio frequency) indicator

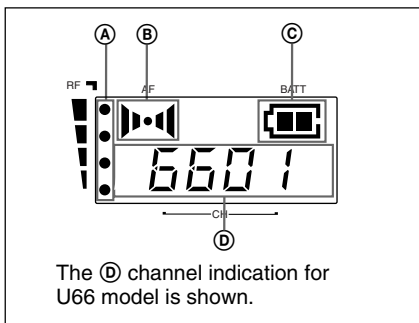
The color indicates the strength of the RF input signal.

On in green: RF input is 15 dB μ * or more.

Off: RF input is less than 15 dB μ *.

4 Display section

* 0 dB μ = 1 μ V_{EMF}



Ⓐ RF (radio frequency) indications

The number of dots indicates the RF input level.

Ⓑ AF (audio frequency) indication

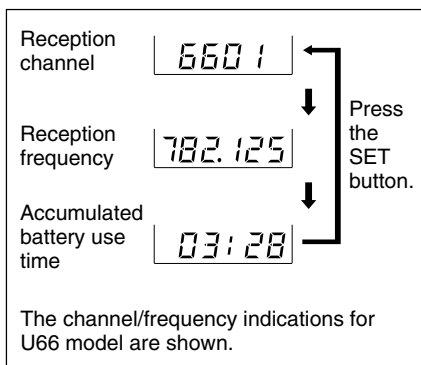
Appears whenever the output audio signal is stronger than the reference level.

Ⓒ BATT (battery) indication

Shows the battery condition.
For details, see “Power Supply” on page 29.

Ⓓ CH (channel) indication

Shows the reception channel. Each time you press the SET button, the channel indication changes as follows.
For details, see “Settings” on page 37.



⑤ + (+ selection) / - (- selection/reset) buttons

Press these buttons to set the reception channel and frequency. The “-” button resets the accumulated battery use time to “00:00”. These buttons can also be used to adjust the monitor level.

⑥ Battery compartment

Accommodates two LR6 (size AA) alkaline batteries.

For details on how to insert the batteries, see “Power Supply” on page 29.

⑦ SET button

Press to change display parameters.
For details, see “Settings” on page 37.

⑧ POWER switch

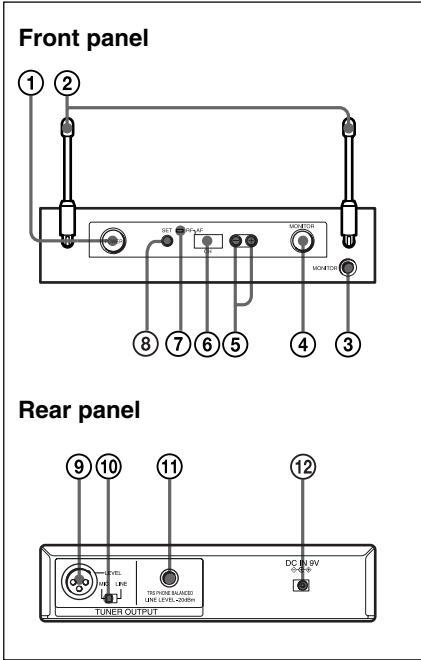
Turns the power of the tuner ON or OFF.

⑨ OUTPUT (audio output) connector (3.5-mm diameter stereo mini jack)

Connect one end of the supplied XLR-BMP conversion cable here and the other end to the microphone input on a camcorder, mixer, or amplifier. If the microphone input connector on the device connected to the tuner is a stereo mini jack, use an optional mini plug ↔ stereo mini plug conversion cable (RK-G139, etc.) and connect the mini plug to the tuner and stereo mini plug to the microphone input connector on the device.

Parts Identification

Half-rack size diversity tuner (URX-R1)



1 POWER switch

Turns the power of the tuner ON or OFF.

2 Antennas a/b

The angle of the antennas can be adjusted manually.

3 MONITOR connector (phone jack)

To monitor the tuner output, connect the headphones to this connector and adjust the monitor level with the MONITOR control. Use either stereo or monaural headphones.

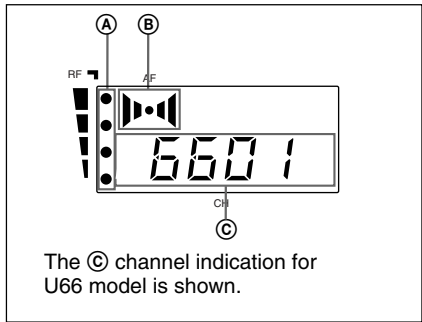
4 MONITOR control

Turn to adjust the output monitoring level (through the headphones).

5 + (+ selection) / - (- selection/ reset) buttons

Press these buttons to set the reception channel and frequency.

6 Display section



A RF (radio frequency) indications

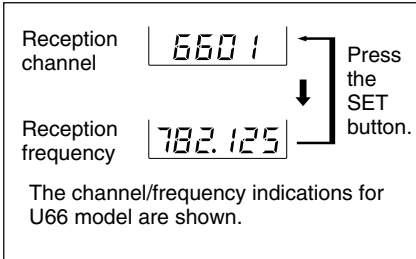
The number of dots indicates the RF input level.

B AF (audio frequency) indication

Appears whenever the output audio signal is stronger than the reference level.

C CH (channel) indication

Shows the reception channel. Each time you press the SET button, the channel indication changes as follows. For details, see “Settings” on page 37.



7 RF (radio frequency) indicator
The color indicates the strength of the RF input signal.

On in green: RF input is 25 dB μ * or more.

Off: RF input is less than 25 dB μ *.

8 SET button
Press to change display parameters.
For details, see “Settings” on page 37.

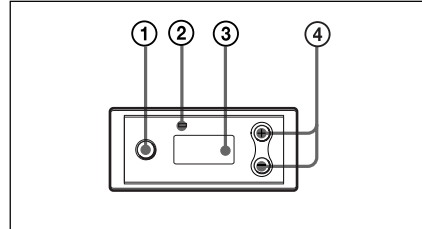
9 TUNER OUTPUT (audio output) connector (XLR type)
Connect to the audio input connector of a mixer or amplifier, etc.

10 LEVEL (audio output level) switch
Sets the output level of the TUNER OUTPUT connector to -28 dBm or -58 dBm.
Select the setting according to the input level of the equipment connected to the tuner.

11 TRS PHONE (tuner audio output) connector (1/4-inch jack)
Connect to the audio input connector of a mixer or amplifier, etc. The output level from this connector is -30 dBm.

12 DC IN 9V (DC power input) connector
Connect the supplied AC adapter here.

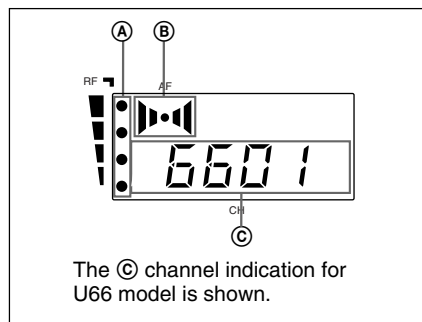
Diversity tuner module (URX-M1)



1 SET button
Press to change display parameters.
For details, see “Settings” on page 37.

2 RF (radio frequency) indicator
The color indicates the strength of the RF input signal.
On in green: RF input is 25 dB μ * or more.
Off: RF input is less than 25 dB μ *.

3 Display section



* 0 dB μ = 1 μ V_{EMF}

Parts Identification

Ⓐ RF (radio frequency) indications

The number of dots indicates the RF input level.

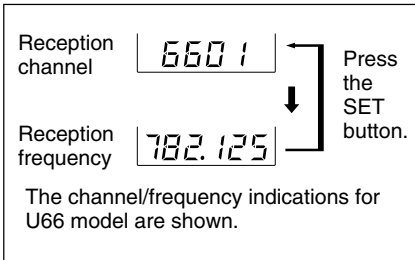
Ⓑ AF (audio frequency) indication

Appears whenever the output audio signal is stronger than the reference level.

Ⓒ CH (channel) indication

Shows the reception channel. Each time you press the SET button, the channel indication changes as follows.

For details, see “Settings” on page 37.



④ + (+ selection) / - (- selection/ reset) buttons

Press these buttons to set the reception channel and frequency.

Power Supply

This section explains the power supply for each component.

- **Half-rack size diversity tuner (URX-R1)**

Connect the supplied AC adapter to the DC IN 9V connector on the rear panel, and then connect the AC adapter to a wall outlet.

- **Diversity tuner module (URX-M1)**

When incorporated into another component (e.g., MB-806A, SRP-X700P, etc.), the tuner module draws its power from that component.

For details on the power supply to the diversity tuner module, refer to the operating instructions of the component in which the diversity tuner module is installed.

- **Body-pack transmitter (UTX-B1), hand-held microphone (UTX-H1), and portable diversity tuner (URX-P1)**

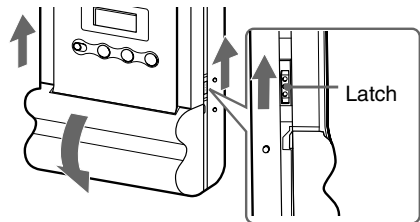
These components can be powered by two LR6 (size AA) alkaline batteries for about six hours of continuous operation (at 25 °C (77°F)). Details on inserting the batteries and the battery condition indication are given below:

Inserting the batteries

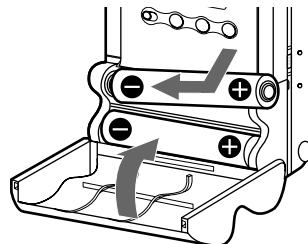
Body-pack transmitter (UTX-B1)/portable diversity tuner (URX-P1)

The procedure below uses the body-pack transmitter (UTX-B1) in the illustrations. Batteries are, however, inserted in the portable diversity tuner (URX-P1) in the same manner.

- 1 Slide the latches on both sides of the transmitter/tuner at the same time and open the battery compartment.



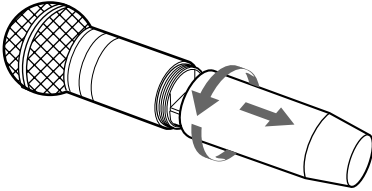
- 2 Align two new LR6 (size AA) alkaline batteries with the polarity markings and insert them into the battery compartment, and then close the cover.



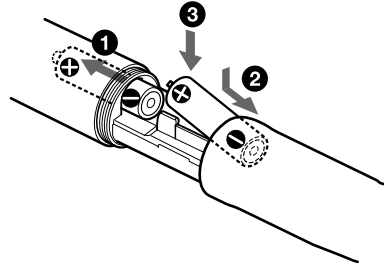
Power Supply

Hand-held microphone (UTX-H1)

- 1 Turn the grip in the direction of the arrow to open the battery compartment.



- 2 Align two new LR6 (size AA) alkaline batteries with the polarity markings and insert them into the battery compartment.



- 3 Turn the grip in the direction opposite to the arrow in step 1 to close the battery compartment.





Note

If you open the battery compartment during signal transmission, the noise may occur. Be sure to turn the microphone off before opening the battery compartment.

Battery indication

When you turn the power on, the battery condition is shown by the BATT indication in the display section.

When the indication in column 4 starts to flash, replace the batteries with new ones. Be sure to check the expiration date printed on the new batteries before using them.

	1	2	3	4
BATT indication	Lights 	Lights 	Lights 	Flashes 
Battery status	Good	Less than 50% charged	Less than 20% charged	Almost drained

Note

The indicated battery condition may not be correct if the batteries were not new when installed. If you plan to use the component for a long period, it is recommended that you replace the batteries with brand new ones.

Notes on batteries

Batteries may leak or explode if mistreated. Be sure to follow these instructions.

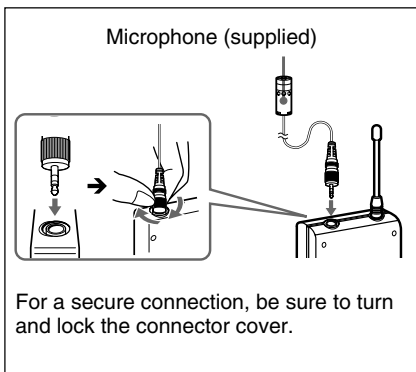
- Be sure to install the batteries with the correct polarity.
- Always replace the two batteries together.
- Do not use different types of batteries or old and new one together.
- The batteries are not rechargeable.
- When not using the component for a long period of time, remove the batteries to avoid leakage. If the batteries do leak, clean all leakage from the battery compartment and the component. Leakage left in the compartment and the component may cause poor battery contact. If there seems to be poor battery contact, consult your Sony dealer.

Attachment and Installation Procedures

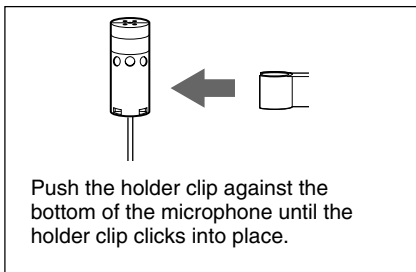
This section describes the procedures for attaching the supplied accessories to components and the installation of the diversity tuner module (URX-M1) into the MB-806A Tuner Base Unit or SRP-X700P Powered Mixer.

Attaching the supplied accessories to the body-pack transmitter (UTX-B1)

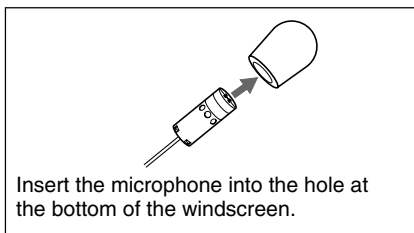
Attaching the microphone



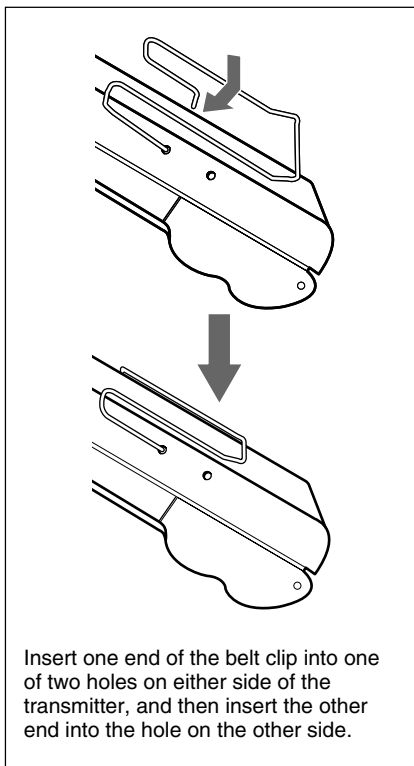
Attaching the holder clip to the microphone



Attaching the wind screen to the microphone

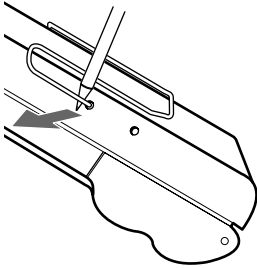


Attaching the belt clip



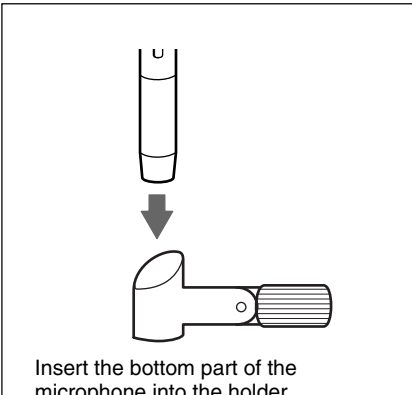
Removing the belt clip

Insert a pointed object such as a ballpoint pen between the belt clip and the transmitter to make some space between them, and then remove the end of the belt clip from the hole on the side of the transmitter.



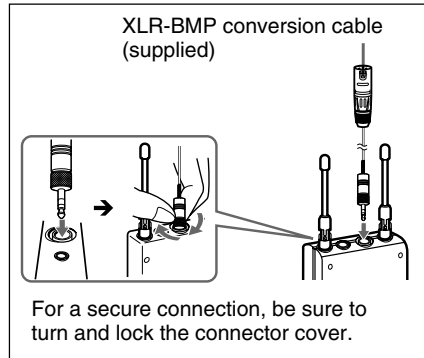
Attaching the supplied accessory to the hand-held microphone (UTX-H1)

Attaching the microphone holder



Attaching the supplied accessories to the portable diversity tuner (URX-P1)

Connecting the XLR-BMP conversion cable to the OUTPUT connector

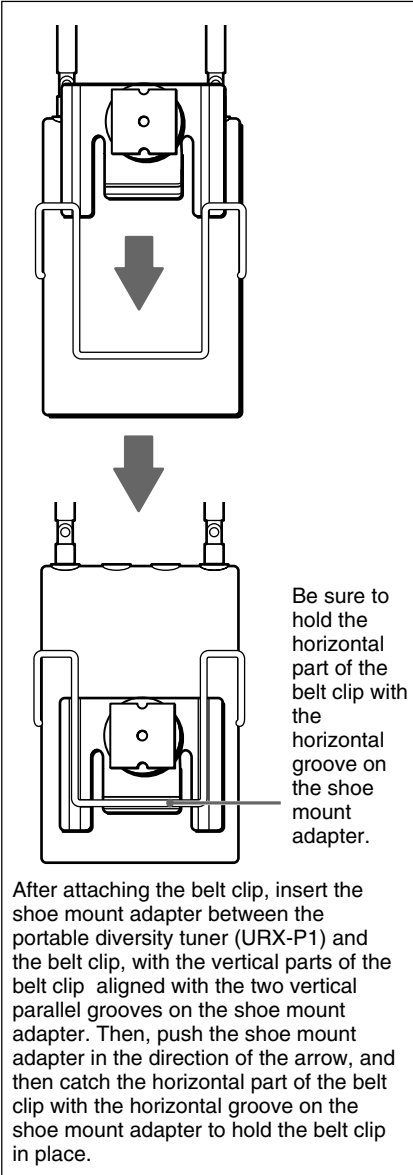


Attaching the belt clip

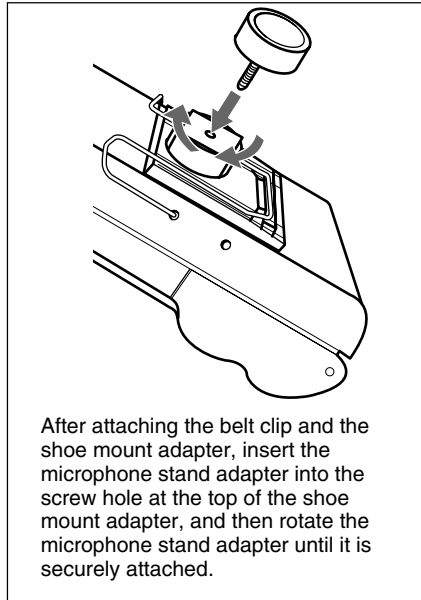
See "Attaching the belt clip" on page 32.

Attachment and Installation Procedures

Attaching the shoe mount adapter



Attaching the microphone stand adapter



Installing the diversity tuner module (URX-M1)

Notes

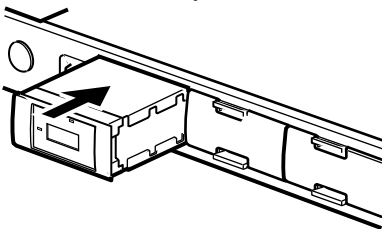
- Before installing the diversity tuner module (URX-M1), make sure the unit into which the diversity tuner module (URX-M1) will be installed is turned off. Do not install or uninstall the diversity tuner module (URX-M1) while the unit is turned on, as this may damage the connector or cause noise.

- The buttons and display on the front panel of the diversity tuner module (URX-M1) may be damaged if they are gripped too strongly. Always hold the diversity tuner module by the side.
- Do not put your fingers on the connectors on the rear panel of the diversity tuner module (URX-M1) or into the slot on the unit into which the diversity tuner module (URX-M1) will be installed.
- Keep the diversity tuner module (URX-M1) away from static electricity.

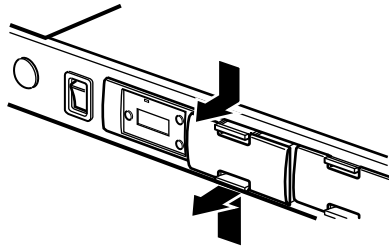
Installing a diversity tuner module (URX-M1) into an MB-806A Tuner Base Unit

The MB-806A Tuner Base Unit can accommodate up to 6 diversity tuner modules (URX-M1).

- 1** Holding both sides of the diversity tuner module (URX-M1), insert it into the slot. Push it in until you hear a click.

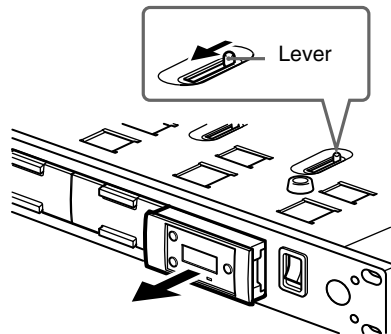


- 2** To install two or more diversity tuner modules (URX-M1), detach the necessary number of blank panels by pressing the top and bottom tabs on each panel towards each other and pulling the panel out. Then do step 1 for each module.



Removing a diversity tuner module (URX-M1)

On the bottom panel of the MB-806A, locate the lever corresponding to the slot of the diversity tuner module (URX-M1) to be removed and pull the lever forward. The diversity tuner module (URX-M1) is ejected from the slot.

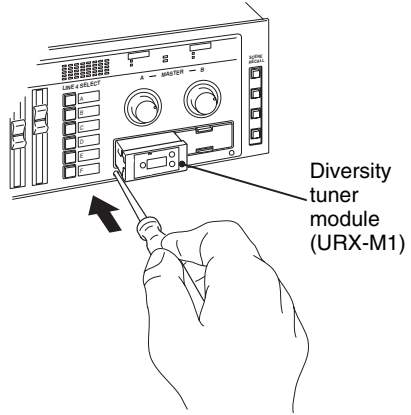
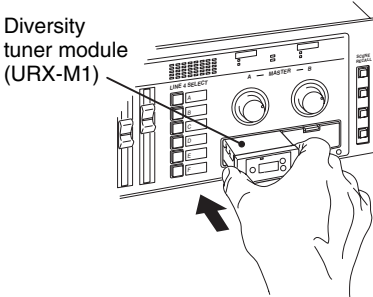


Attachment and Installation Procedures

Installing a diversity tuner module (URX-M1) into an SRP-X700P Powered Mixer

The SRP-X700P Powered Mixer can accommodate up to 2 diversity tuner modules (URX-M1).

- 1 Remove the tuner slot cover from the SRP-X700P and inspect the top and bottom sides of the diversity tuner module. Then, holding the tuner module on both sides, insert it into the slot.



Removing the diversity tuner module (URX-M1)

Insert a screwdriver with a shaft diameter of between 2 to 4 mm and a shaft length of 30 mm or longer into the hole under the lower part of the tuner slot and remove the tuner module.

Settings

Setting the transmission channel

The procedure below is the same for all UWP series transmitters (UTX-B1/H1).

Refer to the pdf files “Sony Wireless Microphone System Frequency List” on the supplied CD-ROM for details on the selectable channel groups and channels (for the U.S.A. and Europe) or the supplied leaflet “Sony Wireless Microphone System Frequency List” (for Australia).

- 1** Turn on the transmitter while pressing down the SET button. Keep pressing the SET button until the display section parameters that were displayed when the unit was last turned off start to flash.
- 2** Press the SET button repeatedly until the channel number (or frequency) indication appears.
- 3** Press the + or – button to select the channel number (or frequency). Pressing the + button cycles the indication in the order shown in the tables in the pdf files “Sony Wireless Microphone System Frequency List” on the supplied CD-ROM (for the U.S.A. and Europe) or the supplied leaflet “Sony Wireless Microphone System Frequency List” (for Australia).

Pressing the – button cycles the indications in the opposite direction.

Hold down the + or – button to change the channel number (or frequency) faster.

Notes on the European model

The transmission channels are divided into four sets.

Select the group number before selecting the channel number as follows.

- 1)** While the left two digits are flashing, select the group number by pressing the + or – button.
- 2)** When the desired group number appears, press the SET button. The right four digits start to flash to allow the selection of the channel number.
- 3)** Select the channel number by pressing the + or – button.

Group selection	Channel selection	Frequency selection
0062 17	0062 17	800.1251
↓ ↑	↓ ↑	↓ ↑
62 00 1	0062 18	800.2501
↑ : + button	↓ : – button	

Group, channel, and frequency selection examples for CE62 model are shown.

Settings

- 4** When the desired channel number (or frequency) appears, set the POWER switch to OFF to complete the setting, or press the SET button to set other items. The results are stored in memory. The stored channel number (or frequency) will appear in the display section the next time you turn on the transmitter by setting the POWER switch to ON.

Notes

- When you are setting the transmission channel, the transmitter cannot be used to transmit signals.
- Do not remove the batteries while setting the transmission channel. If they are inadvertently removed, re-insert them immediately and redo the procedure “Setting the transmission channel” from step 1.
- Make sure that the selected channel is the same on the transmitter and tuner being used in the same system.
- If you turn off the transmitter and then immediately turn it on right after setting the transmission channel, the unit may not operate normally. Wait a few seconds before turning it on again.

Setting the reception channel

The procedure below is the same for all UWP series tuners (URX-P1/R1/M1).

Refer to the pdf files “Sony Wireless Microphone System Frequency List” on the supplied CD-ROM for details on the selectable channel groups and channels (for the U.S.A. and Europe) or the supplied leaflet “Sony Wireless Microphone System Frequency List” (for Australia).

- 1** Press down the SET button for more than one second. Keep pressing the SET button until the display section parameters start to flash.
- 2** Press the SET button repeatedly until the channel number (or frequency) indication appears.
- 3** Press the + or – button to select the channel number (or frequency). Pressing the + button cycles the indication in the order shown in the tables in the pdf files “Sony Wireless Microphone System Frequency List” on the supplied CD-ROM (for the U.S.A. and Europe) or the supplied leaflet “Sony Wireless Microphone System Frequency List” (for Australia). Pressing the – button cycles the indications in the opposite direction. Hold down the + or – button to change the channel number (or frequency) faster.

Notes on the European model

The reception channels are divided into four sets. Select the group number before selecting the channel number as follows.

- 1) While the left two digits are flashing, select the group number by pressing the + or – button.
- 2) When the desired group number appears, press the SET button. The right four digits start to flash to allow the selection of the channel number.
- 3) Select the channel number by pressing the + or – button.

Group selection	Channel selection	Frequency selection
0062 17	0062 17	800.125
↓ ↑	↓ ↑	↓ ↑
62 00 1	0062 18	800.250
↑ : + button	↓ : – button	

Group, channel, and frequency selection examples for CE62 model are shown.

- 4) When the desired channel number (or frequency) appears, leave the tuner for about 10 seconds until the selected channel number (or frequency) stops flashing and the selection is stored in memory.

Notes

- When you are setting the reception channel, the tuner can be used to receive signals.
- Do not remove the batteries while setting the reception channel. If they are inadvertently removed, re-insert them immediately and redo the procedure “Setting the reception channel” from step 1.
- Make sure that the selected channel is the same on the transmitter and tuner being used in the same system.
- If you turn off the tuner and then immediately turn it on right after setting the reception channel, the unit may not operate normally. Wait a few seconds before turning it on again.

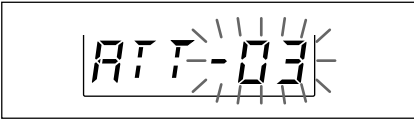
Setting the attenuation level of the audio input

The procedure below is the same for all UWP series transmitters (UTX-B1/H1).

The attenuation level can be set during signal transmission.

1 Do the following while there is no signal transmission.

Turn on the transmitter while pressing down the SET button, and press the SET button repeatedly until the attenuation level indication appears in the display section.



Do the following while there is signal transmission.

Press the SET button repeatedly until the attenuation level indication appears in the display section.

- 2** Press the + or – button to select the attenuation level. The selectable range is from 0 dB to 21 dB in steps of 3 dB (the factory setting is 0 dB).

3 Do the following while there is no signal transmission.

Set the POWER switch to OFF to complete the setting, or press the SET button to set other items. The results are stored in memory. The change becomes effective the next time you turn on the transmitter by setting the POWER switch to ON.

Resetting the accumulated battery use time indication

The procedure below is the same for all UWP series transmitters (UTX-B1/H1) and the portable diversity tuner (URX-P1).

The accumulated battery use time is the total time (in hours and minutes) that the batteries have been used. It is recorded whenever the transmitter/microphone/tuner is on.

Reset the indication to “00:00” whenever you replace the batteries.

1-a For transmitters (UTX-B1/H1)

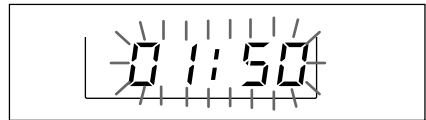
Turn on the unit while pressing down the SET button.

1-b For the portable diversity tuner (URX-P1)

Press down the SET button for more than one second.

Keep pressing the SET button until the display section parameters start to flash.

- 2** Press the SET button repeatedly until the accumulated time indication appears in the display section.



- 3** Press the – button. The time indication resets to “00:00.” While “00:00” is still displayed, you can return to previous value by pressing the + button.

4-a For transmitters (UTX-B1/H1)

Set the POWER switch to OFF to complete the setting, or press the SET button to set other items.

The results are stored in memory.

The change becomes effective the next time you turn on the unit by setting the POWER switch to ON.

4-b For the portable diversity tuner (URX-P1)

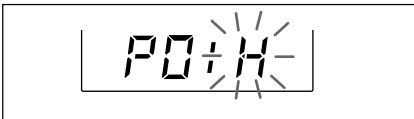
Leave the tuner for about 10 seconds until the time indication stops flashing and the setting is stored in memory.

Setting the RF output level

The procedure below is the same for all UWP series transmitters (UTX-B1/H1).

You can select an RF output level of H (30 mW) or L (5 mW) in setting mode. Set the RF output level to L (5 mW) for simultaneous operation of multiple channels, and set it to H (30 mW) for long-distance operation.

- 1 Turn on the transmitter while pressing down the SET button.
- 2 Press the SET button repeatedly until the RF output level indication appears in the display section.



- 3 Press the + button to select H (30 mW), or press the – button to select L (5 mW).

- 4 Set the POWER switch to OFF to complete the setting, or press the SET button to set other items. The results are stored in memory. The change becomes effective the next time you turn on the transmitter by setting the POWER switch to ON.

Setting the monitor level (portable diversity tuner (URX-P1) only)

You can set the monitor level for monitoring the tuner output within the range of 01 to 24.

- 1 While the parameters on the display section are not flashing, press the + or – button once. The monitor level indication appears in the display section.



- 2 Press the + button to increase the monitor level, or press the – button to decrease the level. When you leave the tuner for about two seconds or more, current monitor level setting is stored in memory and the normal display resumes. Note that monitor level setting is effective after you turn off the tuner, then turn it on again.

The procedure below is the same for all UWP series components (UTX-B1/H1 and URX-P1/R1/M1).

1 Make all necessary connections on the tuner.
For examples of UWP series component connections, see “System Configurations” on page 43.

2 Set the transmission channel on the transmitter, and then turn off the unit.
For details on setting the transmission channel, see “Setting the transmission channel” on page 37.

3 Turn on the tuner.
The parameters that were in the display section when the tuner was last turned off appear again.

Note

Before turning on the tuner, turn down the volume of the equipment connected to the tuner. Otherwise, noise will be produced when the tuner is turned on.

4 Set the reception channel on the tuner.
For details on setting the reception channel, see “Setting the reception channel” on page 38.

5 Turn on the transmitter.

If noise is heard

Depending on the environment where the UWP series components are installed, external noise or radio waves may disrupt transmission on certain channels.

When selecting a channel under these circumstances, turn off the transmitter. Then, on the tuner, select a channel for which the RF indications do not appear in the display section or for which the RF indicator does not light up (i.e., a channel free from noise or radio wave interference). Set the same channel on the transmitter.

Note

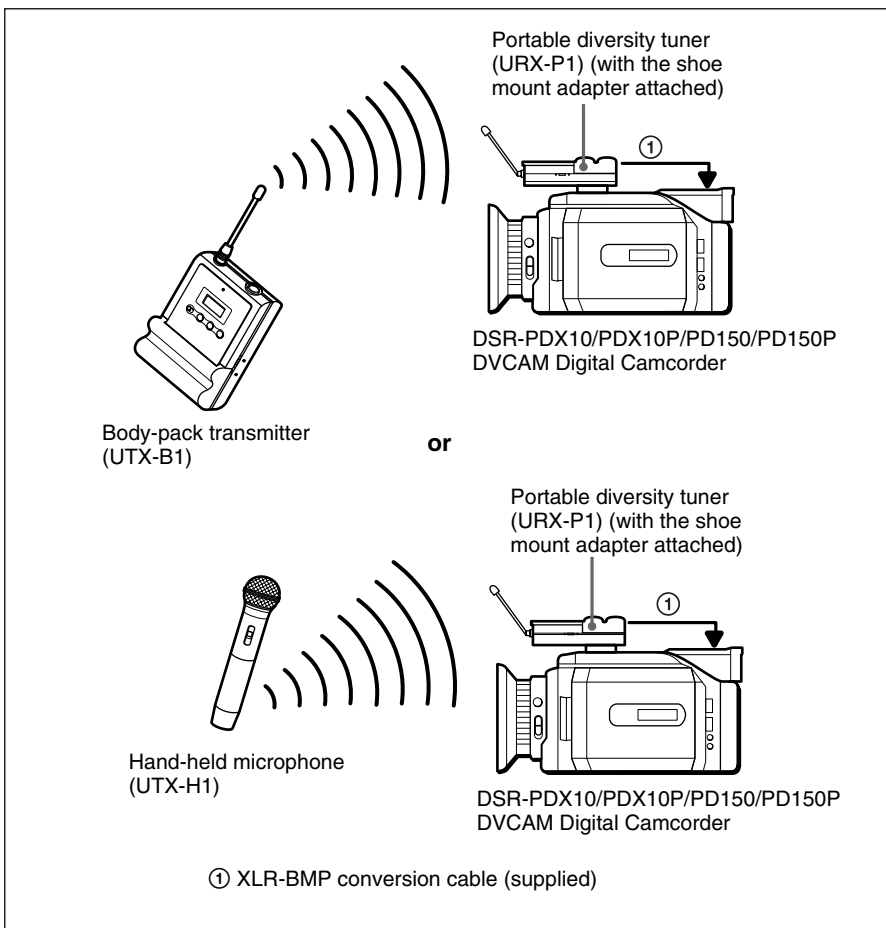
To prevent interference or noise, please take the following precautions.

- Do not use two or more transmitters with the same wireless channels.
- When operating two or more UWP series simultaneously, set each series to a different channel within the same channel group.
- Keep the reception antenna and the transmitter separated more than 3 meters (9 feet 11 inches).
- When operating two or more UWP series simultaneously with the same channel group, make sure that they are at least 100 meters (330 feet) apart, but within clear sight of each other. (The actual distance may differ depending on the circumstances.)

System Configurations

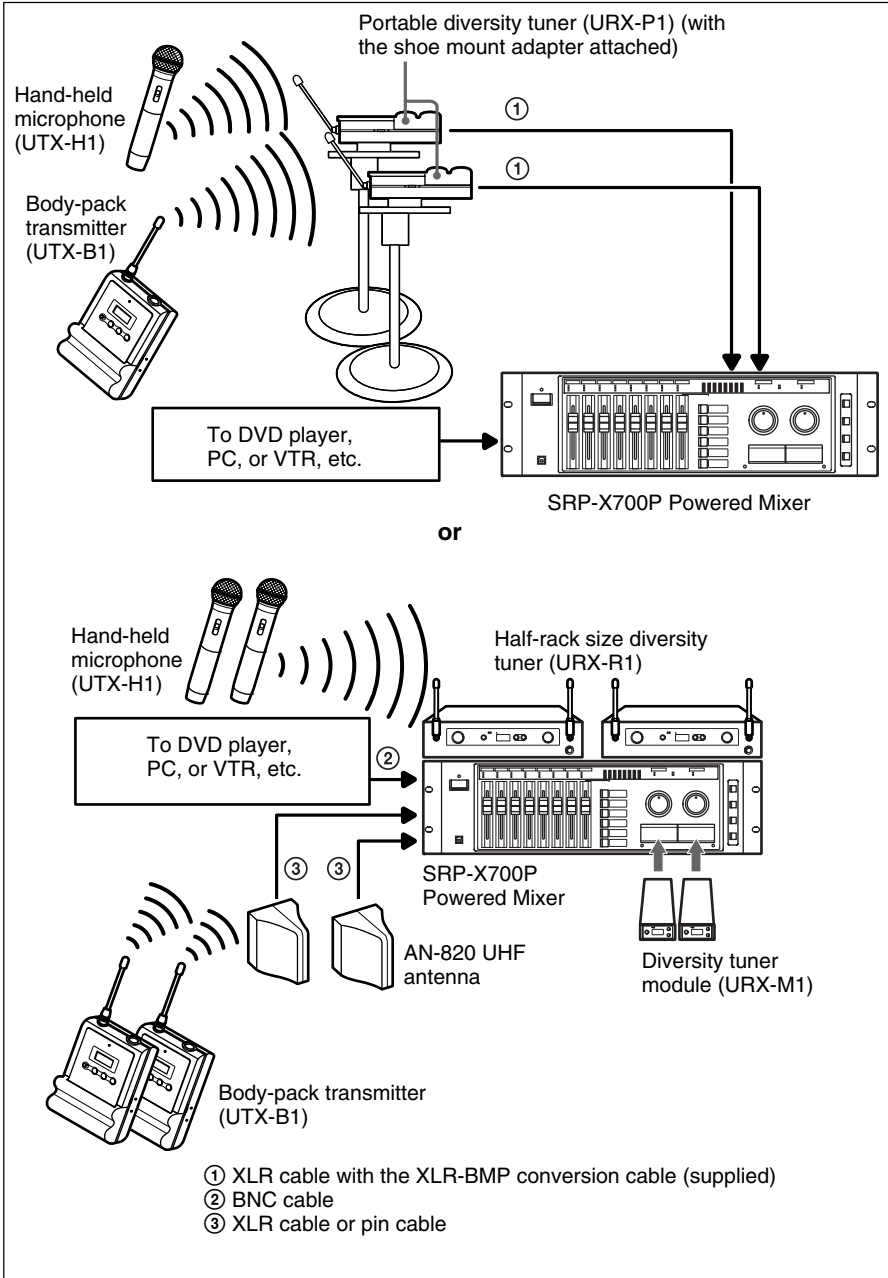
The UWP series is used in the following configuration examples.

Sample configurations for ENG (Electronic News Gathering) or EFP (Electronic Field Production) with a digital camcorder

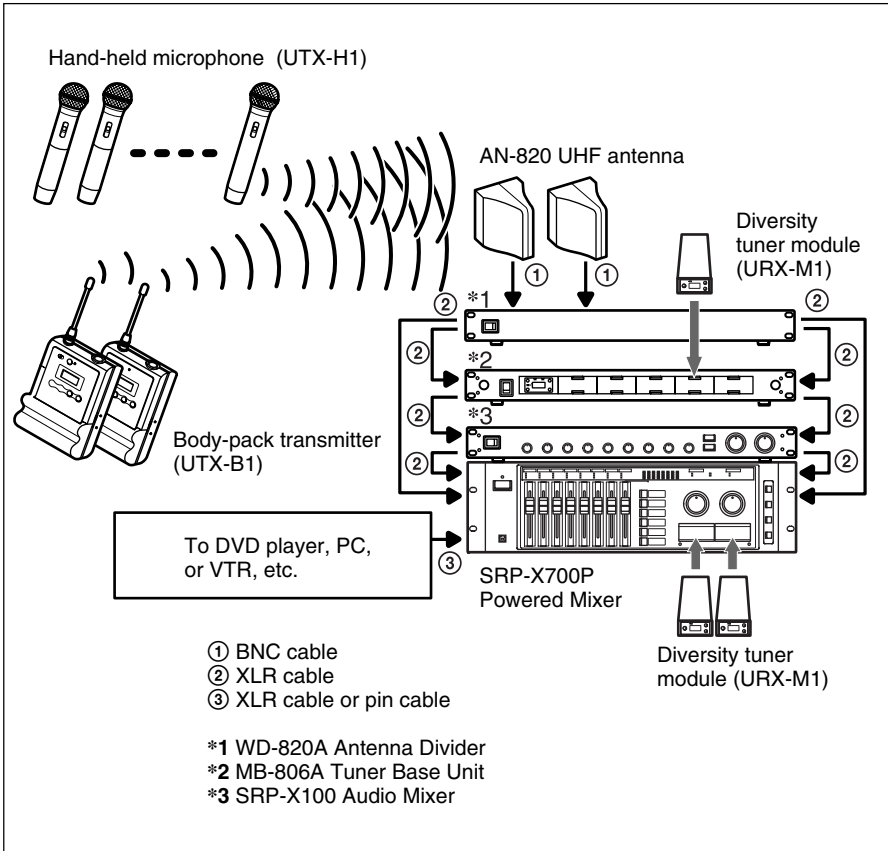


System Configurations

Sample configurations for AV presentations



Sample configuration of a PA system



Error Messages

When a problem occurs, one of the following error messages may appear on the display.

Messages	Meanings	Remedy
Err 01	An error has occurred in the backup memory data.	Contact your Sony dealer.
Err 02	The PLL synthesized circuit is abnormal.	Restart the unit. If the message appears again, contact your Sony dealer.
Err 03*	The battery voltage exceeds the allowable limit.	Use the specified batteries.

* Body-pack transmitter (UTX-B1)/hand-held microphone (UTX-H1)/portable diversity tuner (URX-P1) only.

Troubleshooting

If you have any problem using the UWP system, use the following checklist. Should any problem persist, consult your Sony dealer.

Symptom	Meanings/Remedy
The unit does not turn on*.	The polarity orientation of the batteries in the battery compartment is incorrect. ➔ Insert the batteries with the correct polarity orientation.
	The batteries are exhausted. ➔ Replace the batteries with new ones.
	The battery terminals in the transmitter are dirty. ➔ Clean the + and – terminals with a cotton swab.
The batteries become drained quickly*.	The batteries are exhausted. ➔ Replace the batteries with new ones.
	Manganese batteries are being used. ➔ Use alkaline batteries. The battery life of a manganese battery is less than half that of an alkaline battery.
	The UWP series is being used under cold conditions. ➔ The batteries drain quickly under cold conditions.
The channel cannot be changed.	An attempt was made to change the channel by pressing the SET button only. ➔ Restart the unit while holding down the SET button. Then change the channel with the + and – buttons.
There is no sound.	The channel setting on the transmitter is different from that on the tuner. ➔ Use the same channel setting on both the transmitter and tuner.
	The RF indications (RF indicator) on the tuner do not appear at all (or does not turn on). ➔ Confirm that the transmitter is turned on.
The sound is weak.	The attenuation level on the transmitter is too high. ➔ The output level of the transmitter is low. Press the + button on the transmitter in attenuation level setting mode to decrease the attenuation level.
	The volume on the amplifier or mixer is low. ➔ Adjust the volume.

* Body-pack transmitter (UTX-B1)/hand-held microphone (UTX-H1)/portable diversity tuner (URX-P1) only.

Troubleshooting

Symptom	Meanings/Remedy
There is distortion in the sound.	The attenuation level of the transmitter is too low. ➔ The input level of the tuner is extremely high. Press the – button on the transmitter in attenuation level setting mode to raise the attenuation level.
	The transmitter and the tuner are set to different channels. ➔ Set the transmitter to the same channel.
There is sound interruption or noise.	The RF indications on the tuner appear (the RF indicator lights up) even when the transmitter is off. ➔ Jamming radio waves are being received. Determine which channels are usable (i.e., channels for which the RF indications on the tuner do not appear (or for which the RF indicator on the tuner does not light up) and set the tuner and transmitter to the same usable channel. When two or more transmitters are used simultaneously, use another channel group that is unaffected by jamming radio waves.
	The transmitter and the tuner are set to different channels. ➔ Set the transmitter to the same channel.
	Two or more transmitters are set to the same channel. ➔ Set each transmitter to a different channel.
	The transmitters are not set to the channels within the same channel group. ➔ The channel plan which the UWP series components use is set so that no signal interference occurs when 2 to 12 transmitters are used simultaneously. Set each transmitter to a different channel within the same channel group.

Specifications

Transmitters (UTX-B1/H1)

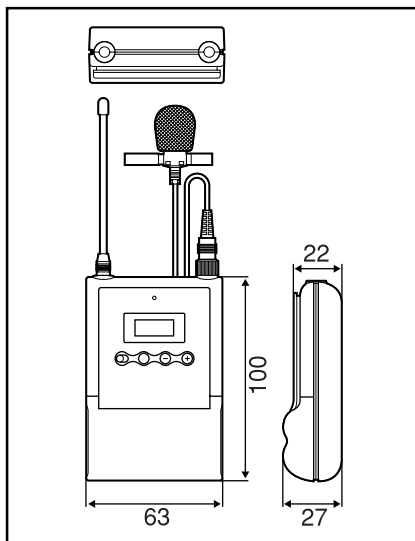
Items common to all transmitters

Oscillator type	Crystal-controlled PLL synthesizer
Carrier frequencies	Model available in USA: 758 to 806 MHz Model available in Europe: 798 to 862 MHz Model available in Australia: 792 to 806 MHz
Operating frequency band	Model available in USA and Europe: 24 MHz BW Model available in Australia: 14 MHz BW
RF output level	30 mW/5 mW selectable
Pre-emphasis	50 μ s
Reference deviation	± 5 kHz
Frequency response	50 Hz to 18 kHz
Distortion	1.0% or less
Signal-to-noise ratio	60 dB or more
Tone signal	32 kHz
Attenuation	0 to 21 dB, in 3-dB steps
Display	Channel, frequency, audio level, RF level, accumulated battery use time

Indicator	Power on
Power requirements	3.0 V DC (two LR6/AA-size alkaline batteries)
Battery life	Approx. 6 hours

Body-pack transmitter (UTX-B1)

Antenna	$1/4\lambda$ wave length wire
Audio input connector	3.5-mm dia. mini jack
Audio input level	-60 dBV to -39 dBV
Dimensions	



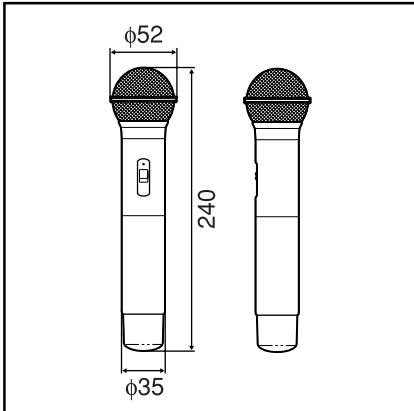
63 × 100 × 27 mm (2 1/2 × 4 × 1 1/8 inches) (w/h/d) (excluding the antennas)

Mass	Approx. 140 g (5 oz) including batteries
------	--

Specifications

Hand-held microphone (UTX-H1)

Microphone unit
Dynamic
Directivity
Unidirectional
Antenna $1/4\lambda$ wave length wire
(internal)
Dimensions



$\phi 52 \times 240$ mm ($2 \frac{1}{8} \times 9 \frac{1}{2}$ inches) (dia/length)

Mass Approx. 300 g (11 oz) including batteries

Tuners (URX-P1/R1/M1)

Items common to all tuners

Type of reception
Space diversity
Oscillator type
Crystal-controlled PLL synthesizer
Reception frequencies
Model available in USA:
758 to 806 MHz

Model available in Europe:
798 to 862 MHz

Model available in
Australia: 792 to 806
MHz

Operating frequency band
Model available in USA
and Europe: 24 MHz BW

Model available in
Australia: 14 MHz BW

Signal-to-noise ratio
60 dB or more

De-emphasis
50 μ s

Reference deviation
 ± 5 kHz

Frequency response
50 Hz to 18 kHz

Distortion
1.0% or less at 1 kHz
modulation

Tone signal
32 kHz

Indicator RF input level

Portable diversity tuner (URX-P1)

Antenna $1/4\lambda$ wave length wire
(adjustable angle)

Squelch level
15 dB μ

Audio output level
-58 dBm

Audio output connector
3.5 mm dia. mini jack

Headphones output level
5 mW (16 Ω)

Display Channel, frequency, audio
level, RF level,
accumulated battery use
time, monitor level

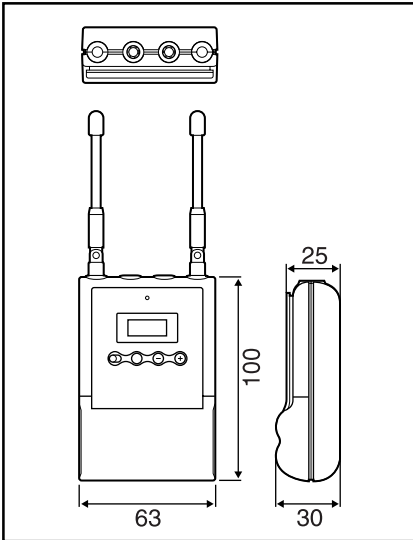
Power requirements

3.0 V DC (two LR6/AA-size alkaline batteries)

Battery life

Approx. 6 hours

Dimensions



63 × 100 × 30 mm (2 1/2 × 4 × 1 3/16 inches) (w/h/d) (excluding the antennas)

Mass

Approx. 180 g (6 oz) including batteries

Half-rack size diversity tuner (URX-R1)

Antenna 1/4λ wave length wire (adjustable angle)

Squelch level

25 dBμ

Audio output level

-28 dBm (LINE level)/-58 dBm (MIC level) selectable

Audio output connectors

1/4-inch jack, unbalanced (LINE level only)

XLR-3-32 type, balanced

Headphones output level

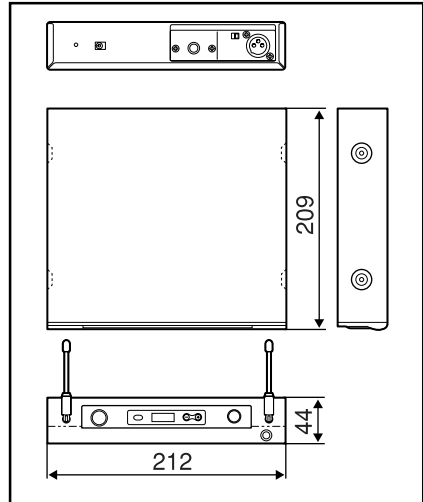
5 mW (16Ω)

Display Channel, frequency

Power requirements

9.0 V DC

Dimensions



212 × 44 × 209 mm (8 3/8 × 1 3/4 × 8 1/4 inches) (w/h/d) (excluding the antennas)

Mass

Approx. 1.3 kg (2 lb 14 oz)

Diversity tuner module (URX-M1)

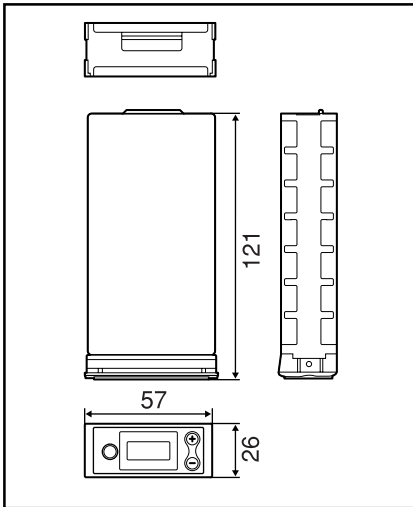
Squelch level

25 dBμ

Display Channel, frequency

Specifications

Dimensions



$57 \times 26 \times 121$ mm ($2 \frac{1}{4} \times 1 \frac{1}{16} \times 4 \frac{7}{8}$ inches) (w/h/d)

Mass Approx. 150 g (5 oz)

Design and specifications are subject to change without notice.